

KRANTI[®]
WATER METER
 SINCE 1980



Check on every drop



DOMESTIC SERIES
 WATER METER
CATALOGUE



Features

- Inferential Type Dry Dial Mechanical Driven, Non Magnetic Drive.
- Straight Reading Cyclometer Type, 7-inline consecutive Digits with one central pointer for easy reading.
- Innovative Design with Wiper for Clear Reading.
- Wide Range of products 15mm to 50mm.



Applications



Domestic, Agriculture and Industrial use.

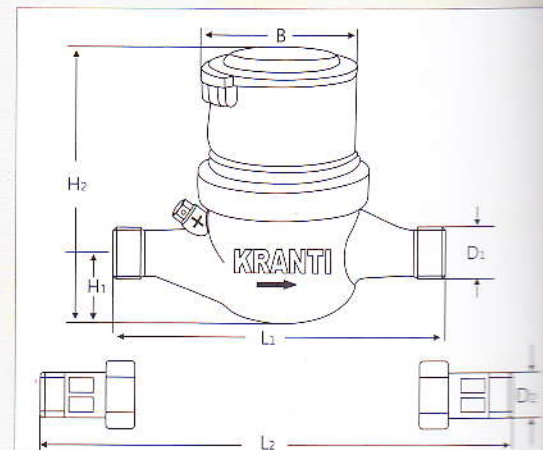
Standards
IS 779:1994

PERFORMANCE DATA

Nominal Sizes		Meterological Class	Q _{max} Minimum Flow Rate (m ³ /h)	Q _n Nominal Flow Rate (m ³ /h)	Q _t Transitional Flow Rate (L/h)	Q _{min} Minimum Flow Rate (L/h)	Maximum Register Capacity (m ³)	Minimum Register Capacity (L)	Accuracy Between Q _{max} & Q _t	Accuracy Between Q _t & Q _{min}
15	1/2"	Class-A	3	1.5	150	60	99999.999	0.1	± 2%	± 5%
20	3/4"	Class-A	5	2.5	250	100	99999.999	0.1		
25	1"	Class-A	7	3.5	350	140	99999.999	0.1		
40	1½"	Class-A	20	10	1000	400	99999.999	0.1		
50	2"	Class-A	30	15	1500	600	99999.999	0.1		

DIMENSIONS

Model		KAM-G	KAM-G	KAM-G	KAM-G	KAM-G
Nominal Size	(mm)	15	20	25	40	50
	(Inches)	1/2	3/4	1	1½	2
D1 - Meter Connection Thread	ISO 228/1	G3/4 B	G1 B	G1¼ B	G2 B	G2½ B
D2 - Meter Connection Pipe	ISO 7/1	R½	R¾	R1	R1½	R2
L1 - Length without Couplings	(mm)	165	190	260	300	330
L2 - Length with Couplings	(mm)	250	290	380	430	470
B - Width	(mm) (Max.)	100	130	170	210	270
H1 - Centerline Height	(Max.)	50	60	65	75	115
H2 - Overall Height	(Max.)	180	240	260	300	300



Check on every drop



IS 779:1994



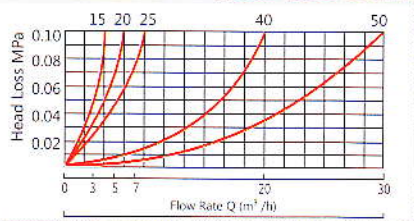
CLASS-A
CM/L-1298460

Water meters using the multi-jet principle are the best cost/performance, long life, flow measurement instruments.

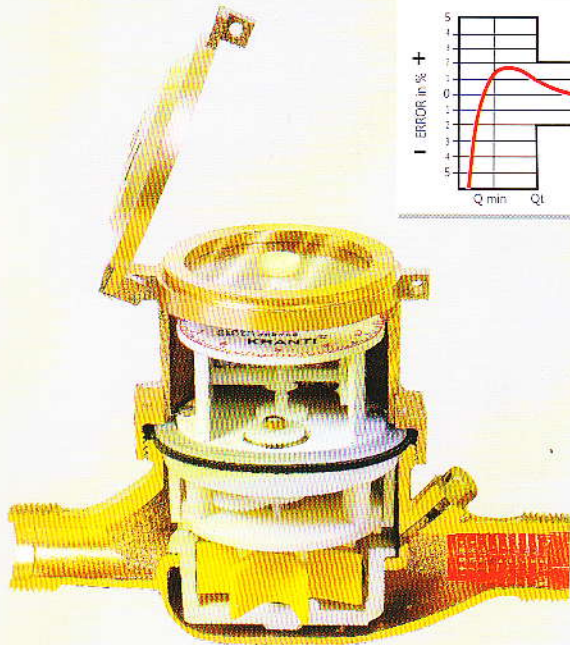
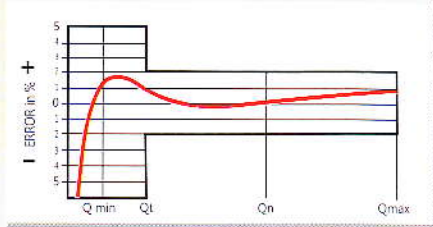
Working Conditions :

- ▶ Water Temperature $\leq 50^{\circ}\text{C}$
- ▶ Water Pressure $\leq 1\text{MPa}$
- ▶ Pressure Loss $\Delta P < 0.1\text{MPa}$ at Q_{max}
 $\Delta P < 0.025\text{MPa}$ at Q_n
- ▶ Maximum Pressure-16 Bar

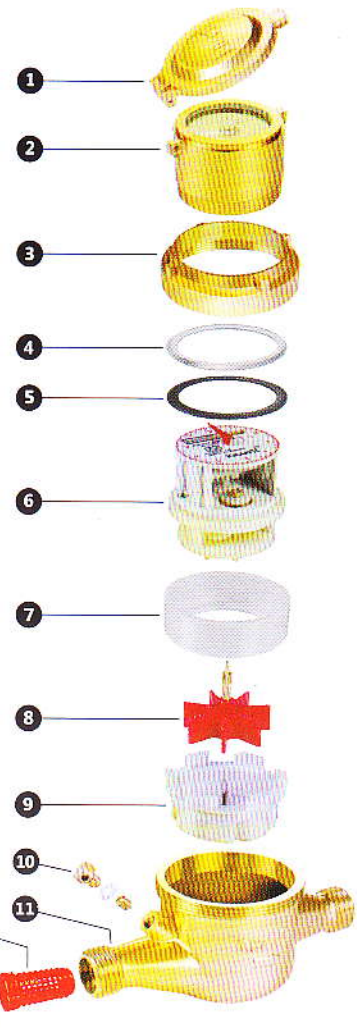
HEAD LOSS CURVE



ACCURACY CURVE



Dry Dial WATER METER



KAM-G

Features

- Inferential Type Dry Dial, Multi Jet, Magnetic Transmission.
- Straight Reading Cyclometer Type register for the most comfortable reading position of 7 rollers & 2 pointers.
- Only one moving part - the impeller - in contact with the water for minimum wear & utmost reliability.
- All the materials in contact with water, consciously selected by the known resistance to corrosion.
- Wide Range of products 15mm to 50mm.



Standards
IS 779:1994
ISO 4064:1993

Applications



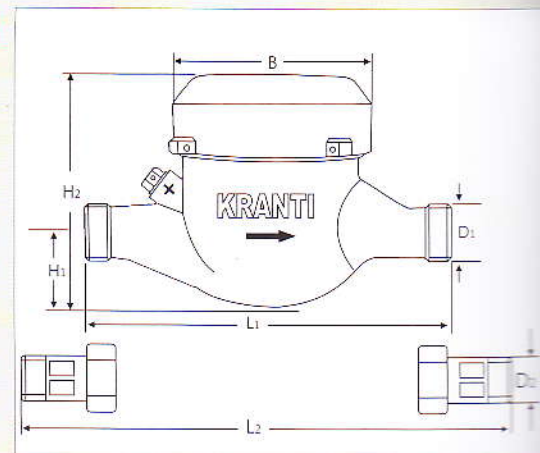
Domestic, Agriculture and Industrial use.

PERFORMANCE DATA

Nominal Sizes	Metero-logical Class	Q _{max} Minimum Flow Rate (m ³ /h)	Q _n Nominal Flow Rate (m ³ /h)	Q _t Transitional Flow Rate (L/h)	Q _{min} Minimum Flow Rate (L/h)	Maximum Register Capacity (m ³)	Minimum Register Capacity (L)	Accuracy Between Q _{max} & Q _t	Accuracy Between Q _t & Q _{min}
15 1/2"	Class-B	3	1.5	120	30	99999.9999	0.05	± 2%	± 5%
20 3/4"	Class-B	5	2.5	200	50	99999.9999	0.05		
25 1"	Class-B	7	3.5	280	70	99999.9999	0.05		
40 1 1/2"	Class-B	20	10	800	200	99999.9999	0.05		
50 2"	Class-B	30	15	1200	300	99999.9999	0.05		

DIMENSIONS

Model		KBM-G	KBM-G	KBM-G	KBM-G	KBM-G
Nominal Size	(mm)	15	20	25	40	50
	(Inches)	1/2	3/4	1	1 1/2	2
D1 - Meter Connection Thread ISO 228/1		G3/4 B	G1 B	G1 1/4 B	G2 B	G2 1/2 B
D2- Meter Connection Pipe ISO 7/1		R1/2	R3/4	R1	R1 1/2	R2
L1 - Length without Couplings (mm)		165	190	260	300	330
L2 - Length with Couplings (mm)		250	290	380	430	470
B - Width (mm) (Max.)		100	130	170	210	270
H1 - Centerline Height (Max.)		50	60	65	75	115
H2 - Overall Height (Max.)		180	240	260	300	300



Check on every drop



IS 779:1994



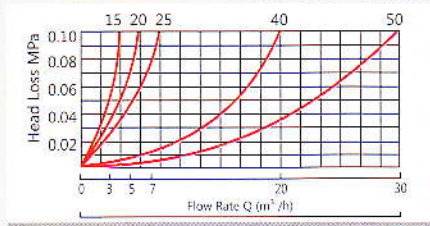
CLASS-B
CM/L-1298460

KRANTI Class-B is impeller (Turbine) Multi Jet Water meter with magnetic transmission. After entering the meter, the water flow is split into several smaller flows by the vane wheel case, that are going to hit the turbine simultaneously in various points keeping it perfectly balanced.

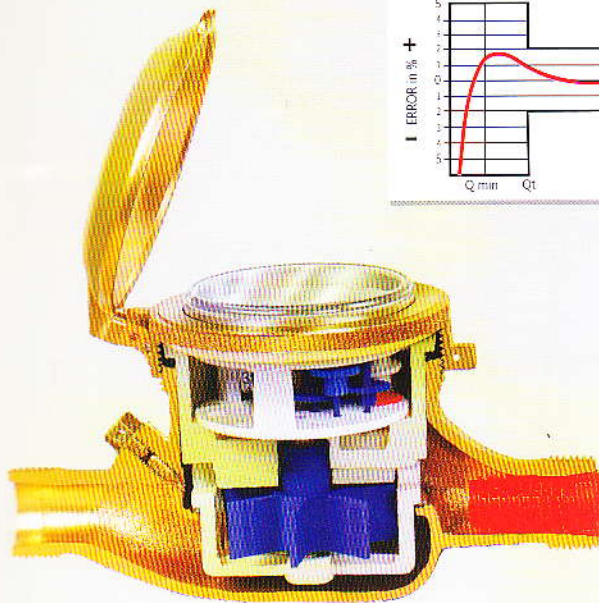
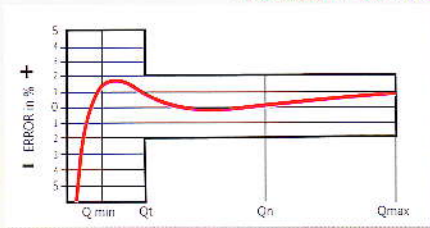
Working Conditions :

- ▶ Water Temperature $\leq 50^{\circ}\text{c}$
- ▶ Water Pressure $\leq 1\text{MPa}$
- ▶ Pressure Loss $\Delta P < 0.1\text{MPa}$ at Q_{max}
 $\Delta P < 0.025\text{MPa}$ at Q_n
- ▶ Maximum Pressure-16 Bar

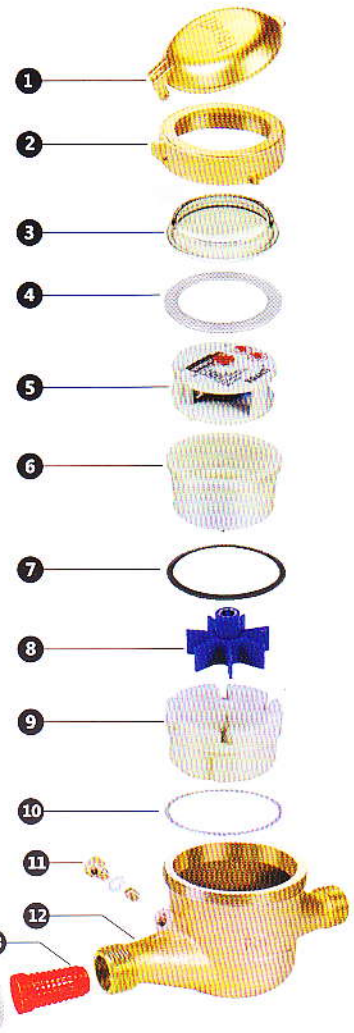
HEAD LOSS CURVE



ACCURACY CURVE



Dry Dial WATER METER



KBM-G

Features

- State-of-art design with German technology.
- Magnetic Transmission, Dry type register.
- Only one moving part - the impeller - in contact with the water for minimum wear & utmost reliability.
- International Designed indicator register with 5 rollers & 4 pointers.
- The inlet filter at the inlet of the meter body permit cleaning it without breaking the meteorological seal.
- Glass window is unconditionally guaranteed for best visibility.
- Wide Range of products 15mm to 50mm.



Standards
IS 779:1994
ISO 4064:1993

Applications



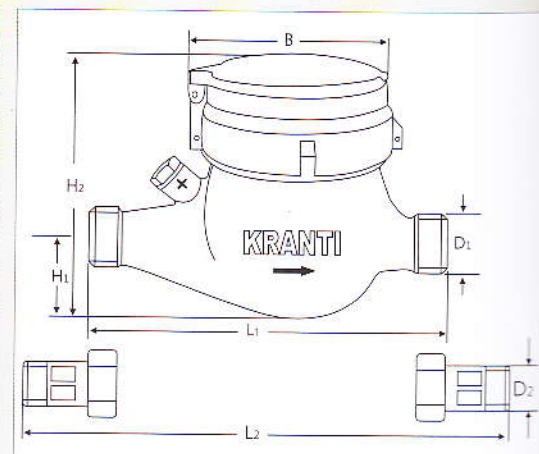
Domestic, Agriculture and Industrial use.

PERFORMANCE DATA

Nominal Sizes		Metero-logical Class	Q _{max} Minimum Flow Rate (m ³ /h)	Q _n Nominal Flow Rate (m ³ /h)	Q _t Transitional Flow Rate (L/h)	Q _{min} Minimum Flow Rate (L/h)	Maximum Register Capacity (m ³)	Minimum Register Capacity (L)	Accuracy Between Q _{max} & Q _t	Accuracy Between Q _t & Q _{min}
mm	Inches									
15	1/2"	Class-B	3	1.5	120	30	99999.9999	0.05	± 2%	± 5%
20	3/4"	Class-B	5	2.5	200	50	99999.9999	0.05		
25	1"	Class-B	7	3.5	280	70	99999.9999	0.05		
40	1½"	Class-B	20	10	800	200	99999.9999	0.05		
50	2"	Class-B	30	15	1200	300	99999.9999	0.05		

DIMENSIONS

Model		BESTO	BESTO	BESTO	BESTO	BESTO
Nominal Size	(mm)	15	20	25	40	50
	(Inches)	1/2	3/4	1	1½	2
D1 - Meter Connection Thread ISO 228/1		G3/4 B	G1 B	G1¼ B	G2 B	G2½ B
D2- Meter Connection Pipe ISO 7/1		R½	R¾	R1	R1½	R2
L1 - Length without Couplings (mm)		165	190	260	300	270/330
L2 - Length with Couplings (mm)		250	290	380	430	470
B - Width (mm) (Max.)		100	130	170	210	270
H1 - Centerline Height (Max.)		50	60	65	75	115
H2 - Overall Height (Max.)		180	240	260	300	300



Check on every drop



IS 779:1994



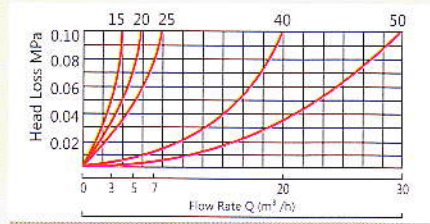
CLASS-B
CM/L-1298460

Wide Clearances in the measuring chamber and negligible area of contact between static and moving parts are the main reasons for the high reliability of this design even in hard water.

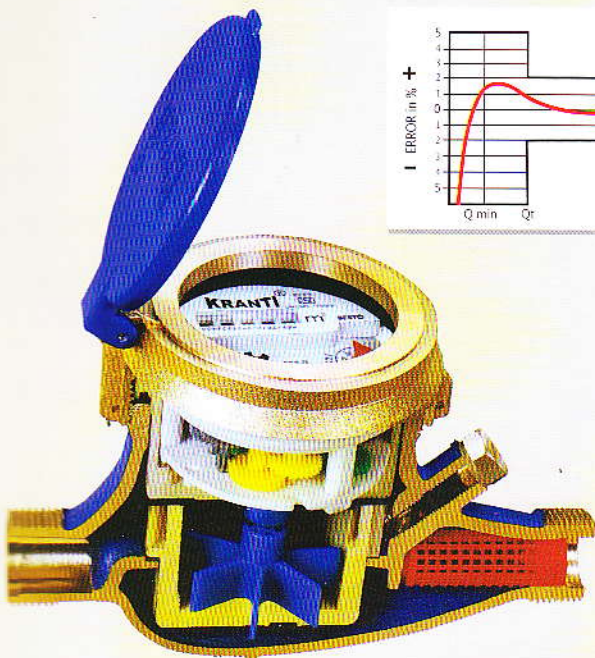
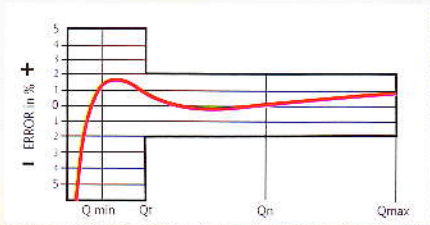
Working Conditions :

- ▶ Water Temperature $\leq 50^{\circ}\text{C}$
- ▶ Water Pressure $\leq 1\text{MPa}$
- ▶ Pressure Loss $\Delta P < 0.1\text{MPa}$ at Q_{max}
 $\Delta P < 0.025\text{MPa}$ at Q_n
- ▶ Maximum Pressure-16 Bar

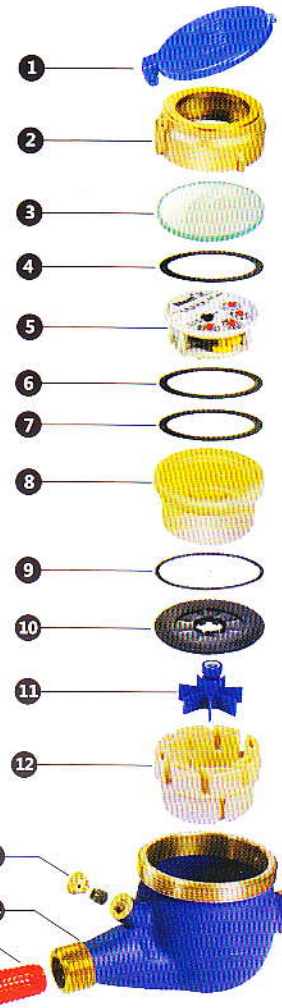
HEAD LOSS CURVE



ACCURACY CURVE



Dry Dial WATER METER



BESTO

Features

- Magnetic Transmission, Dry type register.
- Compact design & Light weight.
- Register can be rotated in any direction for convenient reading.
- Vacuum Sealed Register, frost resistant, keeps clear reading for long time.
- Only one moving part - the impeller - in contact with the water for minimum wear & utmost reliability.
- Straight Reading Cyclometer type register for the most comfortable reading position of 7 rollers & 2 pointers.

Applications



Domestic, Agriculture and Industrial use.



S standards
IS 779:1994
ISO 4064:1993

PERFORMANCE DATA

Nominal Sizes	Metero-logical Class	Q _{max} (m ³ /h)	Q _n (m ³ /h)	Q _t (L/h)	Q _{min} (L/h)	Maximum Reading (m ³)	Minimum Reading (L)
15 mm 1/2"	Class-B	3	1.5	120	30	99999.9999	0.05

IS 779:1994



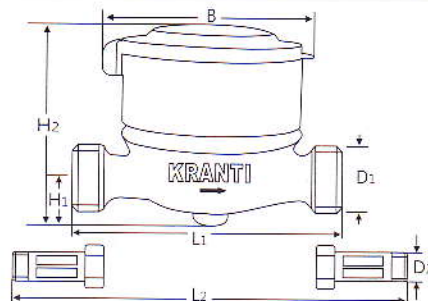
CLASS-B
CM/L-1298460

Accuracy :

- ▶ From minimum flow rate (Q_{min}) inclusive, to transitional flow rate (Q_t), exclusive : ± 5%
- ▶ From transitional flow rate (Q_t) inclusive, to maximum flow rate (Q_{max}), exclusive : ± 2%

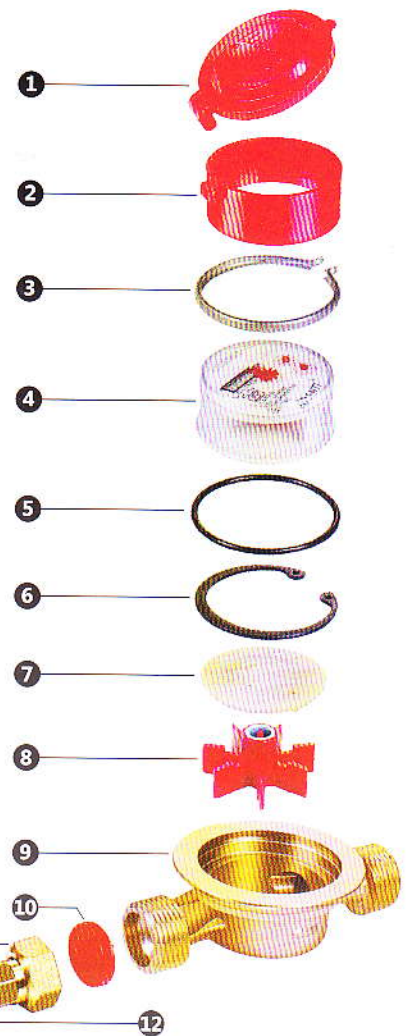
Working Conditions :

- ▶ Water Temperature ≤ 50°C
- ▶ Water Pressure ≤ 1MPa
- ▶ Pressure Loss ΔP < 0.1MPa at Q_{max}
ΔP < 0.025MPa at Q_n
- ▶ Maximum Pressure-16 Bar



DIMENSIONS

Model	KBS
Nominal Size (mm)	15
(Inches)	1/2
D1 - Meter Connection Thread ISO 228/1	G3/4 B
D2- Meter Connection Pipe ISO 7/1	R½
L1 - Length without Couplings (mm)	110
L2 - Length with Couplings (mm)	250
B - Width (mm) (Max.)	100
H1 - Centerline Height (Max.)	50
H2 - Overall Height (Max.)	180



Features

- Vacuum Sealed Register, frost resistant, keeps clear reading for long time.
- Cost Effective - High Performance.
- Magnetic Transmission, Dry type register.
- Register can be rotated in any direction for convenient reading.
- Only one moving part - the impeller - in contact with the water for minimum wear & utmost reliability.
- Available in 15mm & 20mm.

Standards
IS 779:1994
ISO 4064:1993



Applications



Domestic, Agriculture and Industrial use.

PERFORMANCE DATA

Nominal Sizes mm Inch.	Metero-logical Class	Q _{max} (m ³ /h)	Q _n (m ³ /h)	Q _t (L/h)	Q _{min} (L/h)	Maximum Reading (m ³)	Minimum Reading (L)
15 1/2"	Class-B	3	1.5	120	30	99999.9999	0.05
20 3/4"	Class-B	5	2.5	200	50	99999.9999	0.05

IS 779:1994



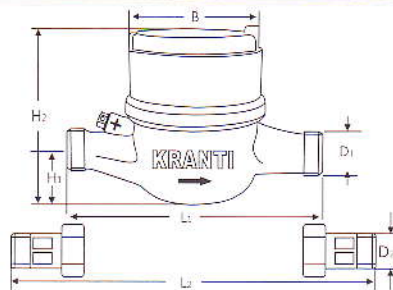
CLASS-B
CM/L-1298460

Accuracy :

- ▶ From minimum flow rate (Q_{min}) inclusive, to transitional flow rate (Q_t), exclusive : ± 5%
- ▶ From transitional flow rate (Q_t) inclusive, to maximum flow rate (Q_{max}), exclusive : ± 2%

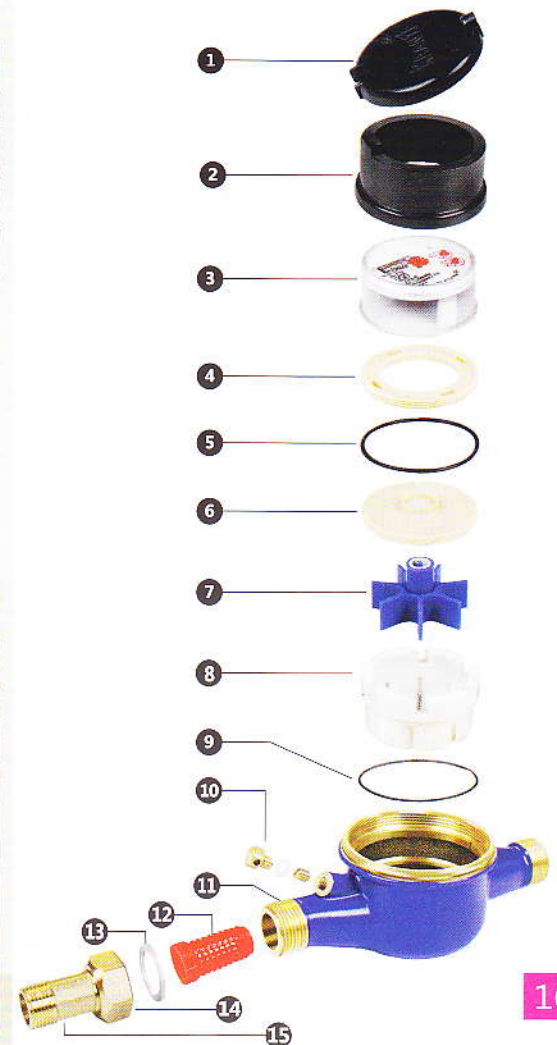
Working Conditions :

- ▶ Water Temperature ≤ 50°C
- ▶ Water Pressure ≤ 1MPa
- ▶ Pressure Loss ΔP < 0.1MPa at Q_{max}
ΔP < 0.025MPa at Q_n
- ▶ Maximum Pressure-16 Bar



DIMENSIONS

Model	K B M	K B M
Nominal Size (mm)	15	20
(Inches)	1/2	3/4
D1 - Meter Connection Thread ISO 228/1	G3/4 B	G1 B
D2 - Meter Connection Pipe ISO 7/1	R½	R¾
L1 - Length without Couplings (mm)	165	190
L2 - Length with Couplings (mm)	250	290
B - Width (mm) (Max.)	100	130
H1 - Centerline Height (Max.)	50	60
H2 - Overall Height (Max.)	180	240



Features

- Inferential Type Dry Dial Mechanical Driven.
- Circular Multipointer Pattern type register with all pointers reading clockwise.
- Innovative Design with Wiper for Clear Reading.
- All the materials in contact with Hot water, consciously selected by the known resistance to corrosion.
- Suitable for **HOT WATER** with maximum temperature 90°.
- Wide Range of products 15mm to 50mm.

S standards
as per
IS 779:1994



Applications



Domestic, Agriculture and Industrial use.

PERFORMANCE DATA

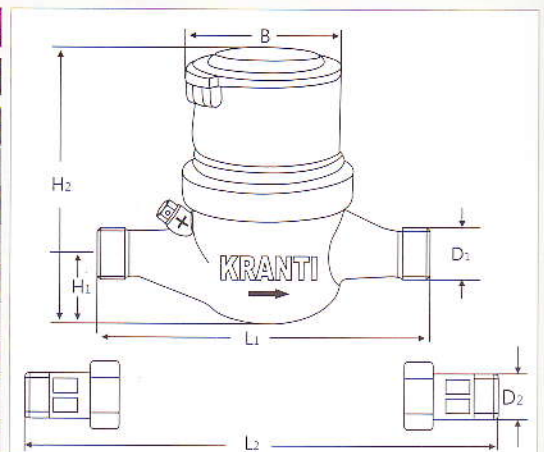
Nominal Sizes	Metero-logical	Q _{max} Minimum Flow Rate (m ³ /h)	Q _n Nominal Flow Rate (m ³ /h)	Q _t Transitional Flow Rate (L/h)	Q _{min} Minimum Flow Rate (L/h)	Maximum Register Capacity (m ³)	Minimum Register Capacity (L)	Accuracy Between Q _{max} & Q _t	Accuracy Between Q _t & Q _{min}
mm Inches	Class								
15 1/2"	Class-A	3	1.5	150	60	9999.99	1.0	± 3%	± 5%
20 3/4"	Class-A	5	2.5	250	100	9999.99	1.0		
25 1"	Class-A	7	3.5	350	140	9999.99	1.0		
40 1 1/2"	Class-A	20	10	1000	400	9999.99	1.0		
50 2"	Class-A	30	15	1500	600	9999.99	1.0		

Working Conditions :

▶ Water Temperature ≤ 90°C ▶ Water Pressure ≤ 1MPa ▶ Pressure Loss (a)ΔP<0.1MPa at Q_{max} (b)ΔP<0.025MPa at Q_n ▶ Maximum Pressure-16 Bar

DIMENSIONS

Model	KHO	KHO	KHO	KHO	KHO
Nominal Size (mm)	15	20	25	40	50
(Inches)	1/2	3/4	1	1 1/2	2
D1 - Meter Connection Thread ISO 228/1	G3/4 B	G1 B	G1 1/4 B	G2 B	G2 1/2 B
D2- Meter Connection Pipe ISO 7/1	R 1/2	R 3/4	R1	R1 1/2	R2
L1 - Length without Couplings (mm)	165	190	260	300	330
L2 - Length with Couplings (mm)	250	290	380	430	470
B - Width (mm) (Max.)	100	130	170	210	270
H1 - Centerline Height (Max.)	50	60	65	75	115
H2 - Overall Height (Max.)	180	240	260	300	300



Features

- Inferential Type Dry Dial, Multi Jet, Magnetic Transmission.
- Straight Reading Cyclometer Type register for the most comfortable reading position of 7 rollers & 2 pointers.
- Only one moving part - the impeller - in contact with the water for minimum wear & utmost reliability.
- All the materials in contact with water, consciously selected by the known resistance to corrosion.
- Size Range 15mm.



Standards
IS 779:1994
ISO 4064:1993

Applications



Domestic, Agriculture and Industrial use.

PERFORMANCE DATA

Nominal Sizes mm Inch.	Metro-logical Class	Q _{max} (m ³ /h)	Q _n (m ³ /h)	Q _t (L/h)	Q _{min} (L/h)	Maximum Reading (m ³)	Minimum Reading (L)
15 1/2"	Class-B	3	1.5	120	30	99999.9999	0.05

IS 779:1994



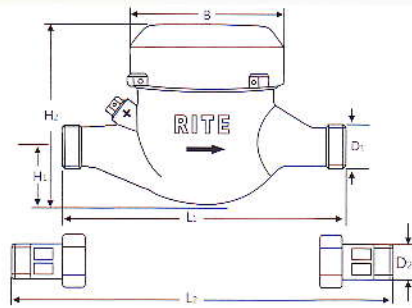
CLASS-B
CM/L-1298460

Accuracy :

- ▶ From minimum flow rate (Q_{min}) inclusive, to transitional flow rate (Q_t), exclusive : ± 5%
- ▶ From transitional flow rate (Q_t) inclusive, to maximum flow rate (Q_{max}), exclusive : ± 2%

Working Conditions :

- ▶ Water Temperature ≤ 50°C
- ▶ Water Pressure ≤ 1MPa
- ▶ Pressure Loss ΔP < 0.1MPa at Q_{max}
ΔP < 0.025MPa at Q_n
- ▶ Maximum Pressure-16 Bar



DIMENSIONS

Model	RITE	
Nominal Size	(mm)	15
	(Inches)	1/2
D1 - Meter Connection Thread	ISO 228/1	G3/4 B
D2- Meter Connection Pipe	ISO 7/1	R½
L1 - Length without Couplings	(mm)	165
L2 - Length with Couplings	(mm)	250
B - Width	(mm) (Max.)	100
H1 - Centerline Height	(Max.)	50
H2 - Overall Height	(Max.)	180

